

CONDENSATE POT/SEAL POT



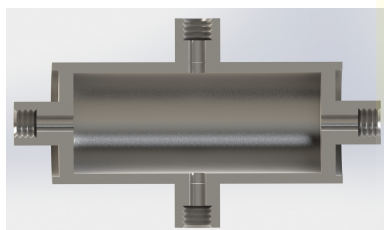
MODEL : DHIA-CP100 SERIES

DAEHAN & DS INSTRUMENT CO.,LTD

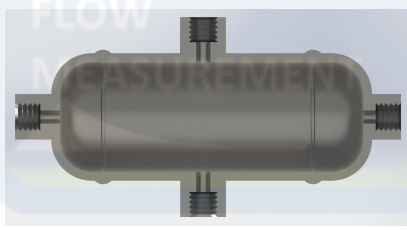
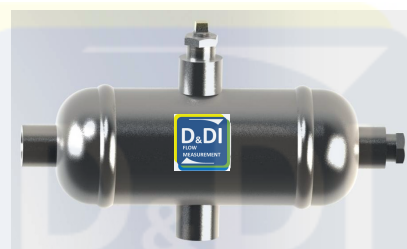


SPECIFICATIONS

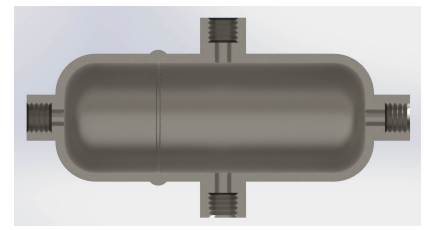
- Type
 - Flat Type
 - Globe(Pipe) Type
 - Globe(Machined)Type
- Nominal pipe sizes available
 - 2" ~ 4"
- MATERIAL
 - Carbon steel
 - Stainless Steel (304SS,316SS,321SS,321H)
 - Low Alloy (A335-P5,P9,P11,P12,P22,P91)



Flat Type



Globe(Pipe) Type



Globe(Machined) Type

DESCRIPTION

Condensate Chambers/Pots: Condensate Chambers are used to collect and accumulate condensate and extrinsic particles. Condensate chambers aid in protecting delicate instruments with smaller orifices from becoming damaged or clogged by foreign debris. The bottom connection is used as a drain port to remove condensate. Condensate chambers can also be used to cool very high temperature liquids.

Seal Pots : Seal pots are used to provide a liquid seal between the process instrument and gases such as steam. Its function is to keep the liquid level constant in the impulse tubes (sensing lines), while preventing stem or corrosive liquids from reaching the instrument.

Condensate Chambers & Seal Pots are fabricated from seamless pipe. A variety of materials and wall thicknesses are available to meet a customer's design pressure and temperature.

Standard stock chambers are 3" pipe, 12" long with three (3) 1/2" NPT connections in Schedule 80 316 Stainless Steel or Carbon Steel. Expedited delivery is available for non-stock chambers.

All chambers are hydro pressure tested and certified prior to shipping. X-Ray & Dye-Pen testing are available upon request.

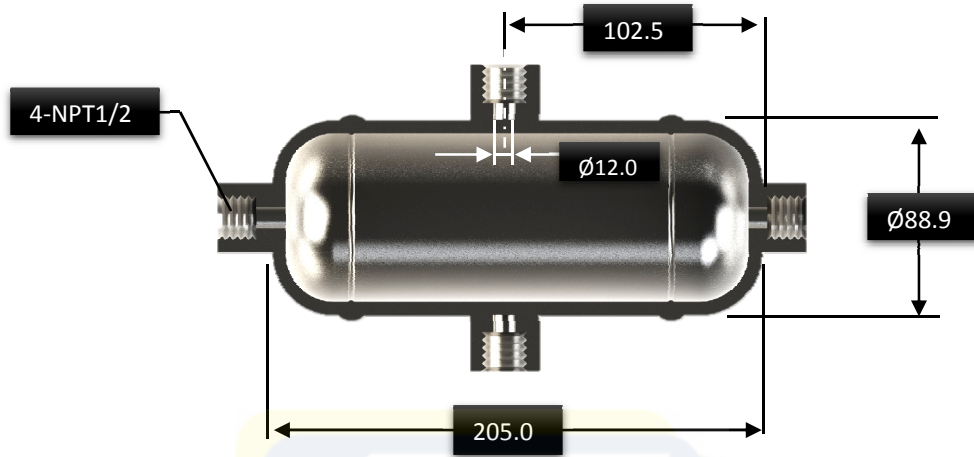
CONDENSATE POT/SEAL POT



MODEL : DHIA-CP100 SERIES

DAEHAN & DS INSTRUMENT CO.,LTD

BASE DIMENSION (3B)



- TOLERANCE : FOR PIPE THICKNESS +/- 10% & ALL DIMENSION +/- 3%
- MATERIAL TESTING : AS PER INTERNATIONAL STANDARDS.

CONDENSATE POT PRESSURE TEST

NO.	MATERIAL	BODY (SHELL)	PIPE SCH.	TEST PRESSURE		
				kg/Cm2	lb	Mpa
1	Carbon Steel	A-106 Gr.B	SCH.40	80	600	8
			SCH.80	125	900	12.5
			SCH.160	125	900	12.5
2	Stainless Steel	SS304(304L)	SCH.40S	90	600	9
			SCH.80S	150	900	15
			SCH.160	N/A	N/A	N/A
3	Stainless Steel	SS316(316L)	SCH.40S	90	600	9
			SCH.80S	150	900	15
			SCH.160	N/A	N/A	N/A
4	Alloy Steel	A335-P11 A335-P12	SCH.40	80	600	8
			SCH.80	125	900	12.5
			SCH.160	210	1500	21
5	Alloy Steel	A335-P22	SCH.40	80	600	8
			SCH.80	125	900	12.5
			SCH.160	210	1500	21
6	Alloy Steel	A335-P91	SCH.40	90	600	9
			SCH.80	150	900	15
			SCH.160	210	1500	21

CONDENSATE POT/SEAL POT



MODEL : DHIA-CP100 SERIES

DAEHAN & DS INSTRUMENT CO.,LTD

ORDERING INFORMATION

MAIN ORDER	CODE	DESCRIPTION
1.Base Model	DSTA-CP100 SERIES	Base Model
2.Type	CP110	FLAT TYPE
	CP120	GLOBE (PIPE) TYPE
	CP130	GLOBE (MACHINED TYPE)
3. Line Size	□□□	Pipe Size (In or mm)
4. Pipe Schedule	10(10S)	SCH.10(10S)
	40(40S)	SCH.40(40S)
	80(80S)	SCH.80(80S)
	160	SCH.160
	XX	SCH.XX
	000	Option
5. CAP/PIPE/ADAPTOR	6S	316SS/316SS/316SS
	6L	316LSS/316LSS/316LSS
	4S	304SS/304SS/304SS
	4L	304LSS/304LSS/304LSS
	CS	C.S/C.S/C.S
	11	P11/P11/P11
	22	P22/P22/P22
	91	P91/P91/P91
	O	Option
6. Connection	A	1/2" NPT
	B	3/4" NPT
	C	1/2" S.W
	D	3/4" S.W
	O	Option
7. Plug & Vent Plug	P	Plug
	V	Vent Plug